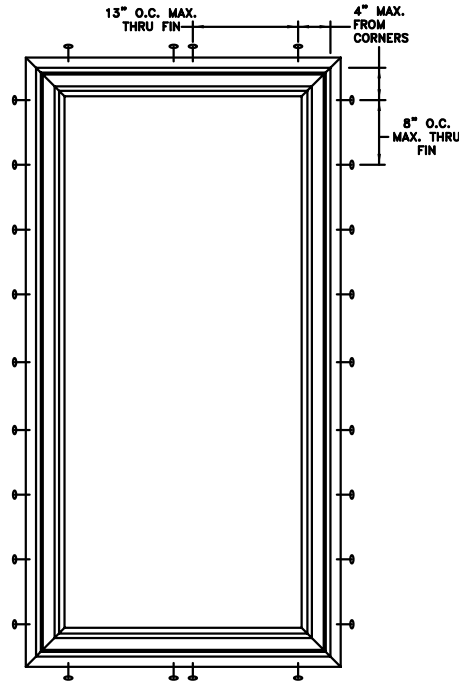
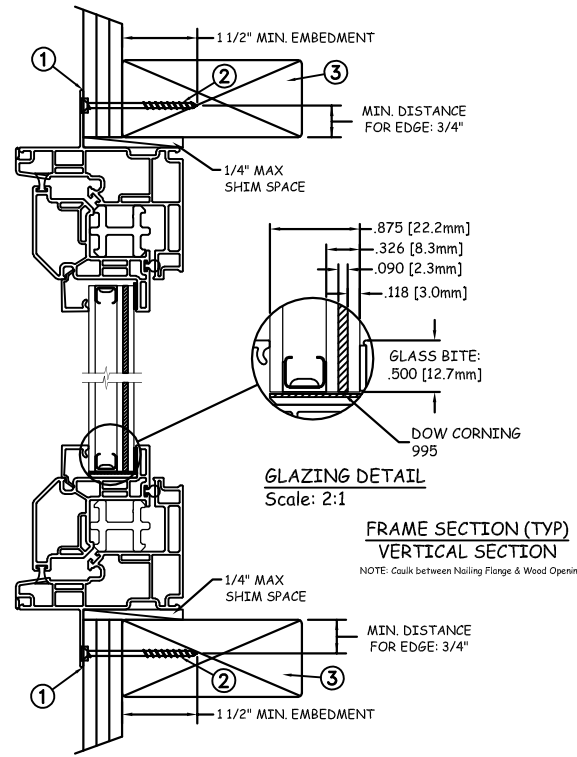


NAIL FIN INSTALLATION



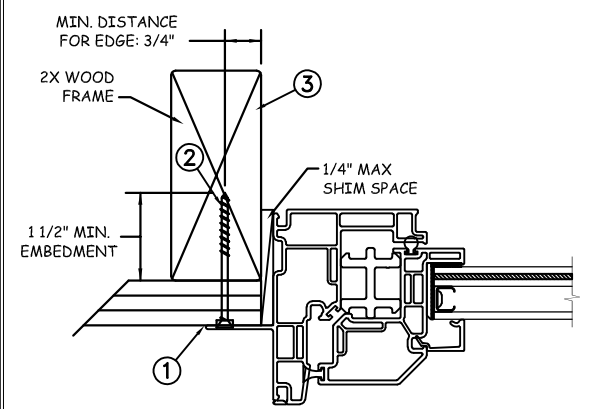
TYPICAL ELEVATION WITH FASTENER SPACING



GLAZING DETAIL
Scale: 2:1

FRAME SECTION (TYP)
VERTICAL SECTION

NOTE: Caulk between Nailing Flange & Wood Opening.



JAMB SECTION (TYP)
HORIZONTAL SECTION

NOTE: Caulk between Nailing Flange & Wood Opening.

Max Frame	DP RATING	IMPACT
36 x 72	+50/-55	YES

MISSILE LEVEL D - WZ3

Installation Notes:

1. Seal flange/frame to substrate. Sill shall be set on a continuous serpentine bead of structural grade silicone caulk when no fastener is used to anchor the sill (typical).
2. Use #8 PH or greater fastener through the nail fin with sufficient length to penetrate a minimum of 1" into the wood framing. For 2X wood frame substrate (min. S.G. = 0.42).
3. Host structure (wood buck, masonry, steel) to be designed and anchored to properly transfer all loads to the structure. The host structure is the responsibility of the architect or engineer of record for the project of installation.

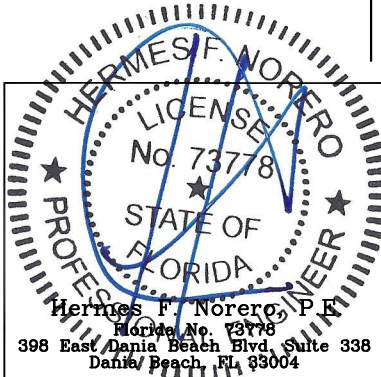
General Notes:

1. The product shown herein is designed, tested and manufactured to comply with the wind load criteria of the adopted International Building Code(IBC), the International Residential Code(IRC), the Florida Building Code(FBC) and the industry requirement for the stated conditions.
2. All glazing shall conform to ASTM E1300.
3. At minimum, glazing shall be 3.0mm annealed - 10.8mm airspace - 3.0mm annealed - 2.3mm PVB Interlayer by Kurraray - 3.0mm annealed insulating glass.
4. Use structural or composite shims where required.

This schedule addresses only the fasteners required to anchor the window to achieve the rated design pressure up to the size limitations noted. It is not intended as a guide to the installation process and does not address the sealing consideration that may arise in different wall conditions. For the complete installation procedure, see the instructions packaged with the window or go to www.jeld-wen.com.

DISCLAIMER:

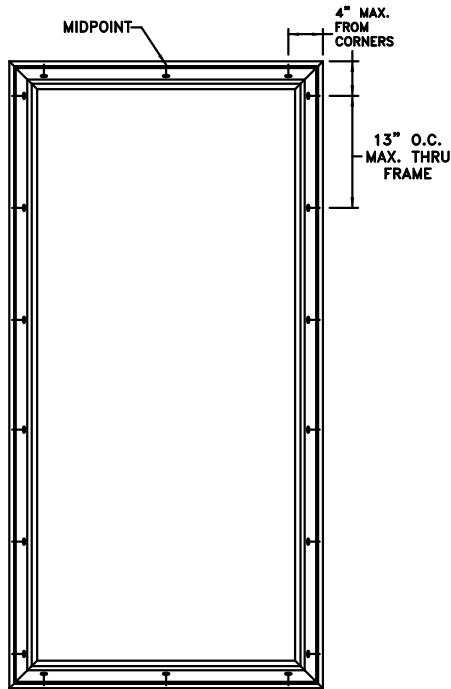
This drawing and its contents are confidential and are not to be reproduced or copied in whole or in part or used or disclosed to others except as authorized by JELD-WEN Inc.



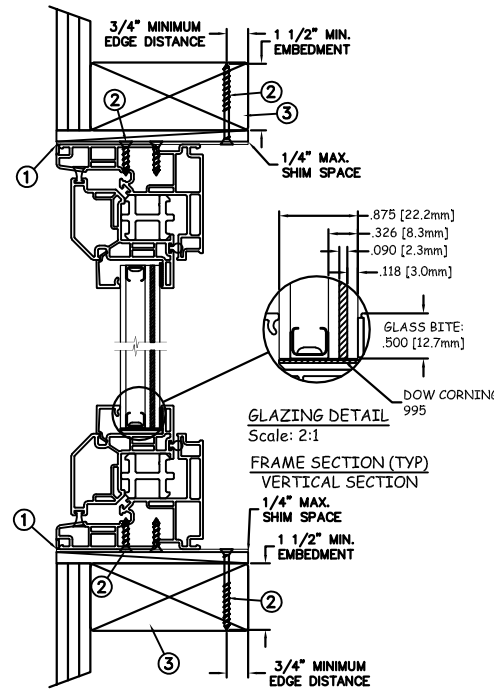
Hermes F. Norero, P.E.
Florida No. 73778
398 East Dania Beach Blvd, Suite 338
Dania Beach, FL 33004

PROJECT ENGINEER: ---	DATE: 07/10/18	JELD-WEN 3737 Lakeport Blvd Klamath Falls, OR. 97601 Phone: (800) 535-3936
DRAWN BY: A. MCMILLAN	SCALE: NTS	
CHECKED BY: J. GOOSSEN	TITLE: Premium Vinyl Stationary Casement Impact Window - WZ3	
APPROVED BY: J. GOOSSEN		
RECORD No.: D014556		
REPORT No.: 110-17-006	PLANT NAME AND LOCATION:	CAD DWG. No.: PremVinylFixedCsmt Cert
		REV: A
		SHEET 1 OF 4

MASONRY STRAP INSTALLATION

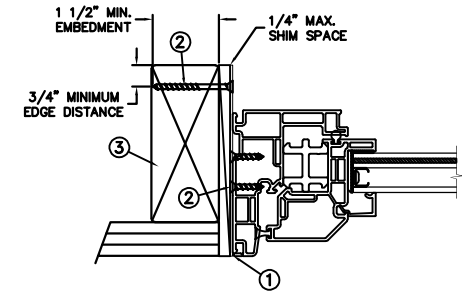


TYPICAL ELEVATION WITH FASTENER SPACING



GLAZING DETAIL
Scale: 2:1

FRAME SECTION (TYP)
VERTICAL SECTION



JAMB SECTION (TYP)
HORIZONTAL SECTION

Max Frame	DP RATING	IMPACT
36 x 72	+50/-55	YES

MISSILE LEVEL D - WZ3

Installation Notes:

1. Seal flange/frame to substrate. Sill shall be set on a continuous serpentine bead of structural grade silicone caulk when no fastener is used to anchor the sill (typical).
2. Install masonry straps to vinyl frame using (4)#8 x 1/2" PH corrosion resistant fasteners . Bend straps around buck and secure with (2)#8 fastener thru masonry strap into wood buck. Fasteners must be long enough to penetrate at least 1 1/2" into framing members. For 2X wood frame substrate (min. S.G. = 0.42)
3. Host structure (wood buck, masonry, steel) to be designed and anchored to properly transfer all loads to the structure. The host structure is the responsibility of the architect or engineer of record for the project of installation.

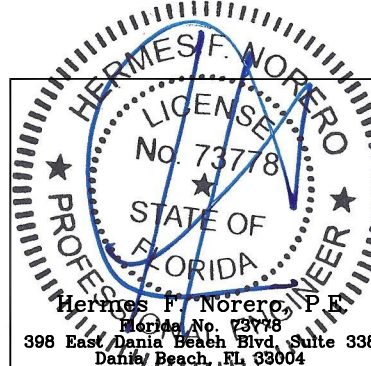
General Notes:

1. The product shown herein is designed, tested and manufactured to comply with the wind load criteria of the adopted International Building Code(IBC), the International Residential Code(IRC), the Florida Building Code(FBC) and the industry requirement for the stated conditions.
2. All glazing shall conform to ASTM E1300.
3. At minimum, glazing shall be 3.0mm annealed - 10.8mm airspace - 3.0mm annealed - 2.3mm PVB Interlayer by Kurraray - 3.0mm annealed insulating glass.
4. Use structural or composite shims where required.

This schedule addresses only the fasteners required to anchor the window to achieve the rated design pressure up to the size limitations noted. It is not intended as a guide to the installation process and does not address the sealing consideration that may arise in different wall conditions. For the complete installation procedure, see the instructions packaged with the window or go to www.jeld-wen.com.

DISCLAIMER:

This drawing and its contents are confidential and are not to be reproduced or copied in whole or in part or used or disclosed to others except as authorized by JELD-WEN Inc.



Hermes F. Norero, P.E.
Florida No. 73778
398 East Dania Beach Blvd, Suite 338
Dania Beach, FL 33004

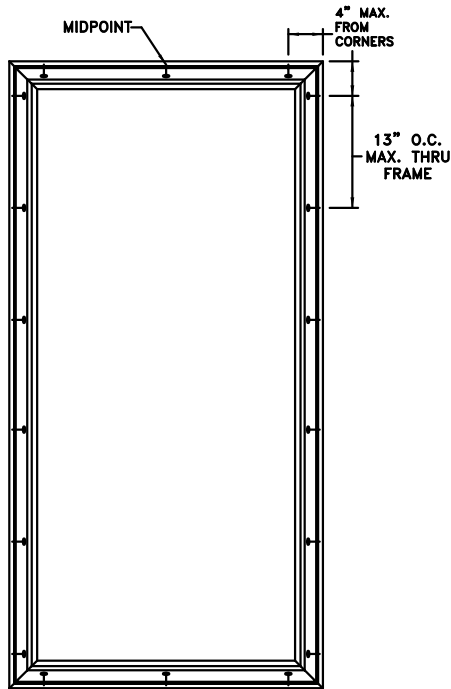
PROJECT ENGINEER: ---	DATE: 07/10/18
DRAWN BY: A. MCMILLAN	SCALE: NTS
CHECKED BY: J. GOOSSEN	TITLE: Premium Vinyl Stationary Casement Impact Window - WZ3
APPROVED BY: J. GOOSSEN	
RECORD No.: D014556	
REPORT No.: 110-17-006	PLANT NAME AND LOCATION:

JELD-WEN

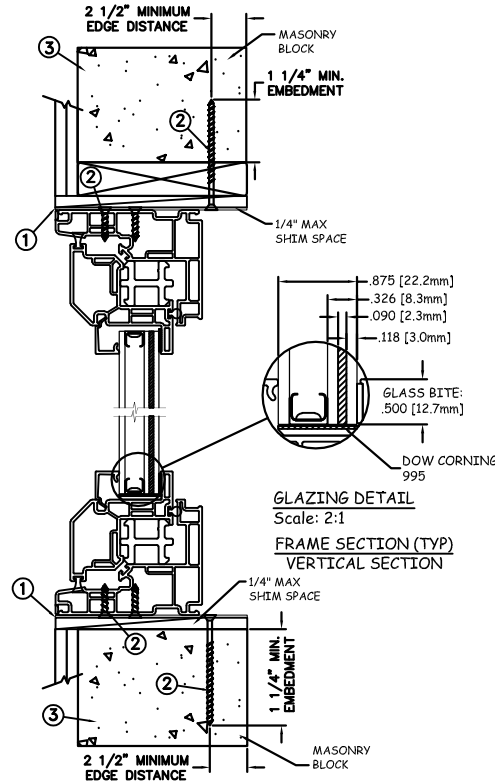
3737 Lakeport Blvd
Klamath Falls, OR. 97601
Phone: (800) 535-3936

CAD DWG. No.: PremVinylFixedCsmnt Cert	REV: A	SHEET 2 OF 4
---	-----------	-----------------

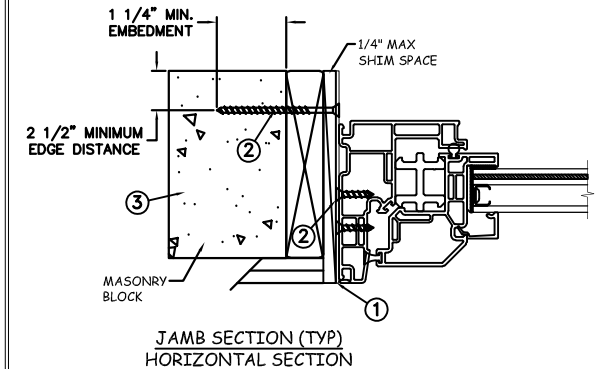
MASONRY INSTALLATION



TYPICAL ELEVATION WITH FASTENER SPACING



GLAZING DETAIL
Scale: 2:1
FRAME SECTION (TYP)
VERTICAL SECTION



JAMB SECTION (TYP)
HORIZONTAL SECTION

Max Frame	DP RATING	IMPACT
36 x 72	+50/-55	YES

MISSILE LEVEL D - WZ3

Installation Notes:

1. Seal flange/frame to substrate. Sill shall be set on a continuous serpentine bead of structural grade silicone caulk when no fastener is used to anchor the sill (typical).
2. Install masonry straps to vinyl frame using (4)#8 x 1/2" PH corrosion resistant fasteners . Bend straps around buck and secure with (2) 3/16" Tapcon fastener through masonry strap into concrete or masonry. Fasteners must be long enough to penetrate at least 1 1/2" into concrete or masonry with min edge distance of 2 1/2". For concrete (min. = 3000psi) or masonry (min. = 2000psi) (CMU shall conform to ASTM C90).
3. Host structure (wood buck, masonry, steel) to be designed and anchored to properly transfer all loads to the structure. The host structure is the responsibility of the architect or engineer of record for the project of installation.

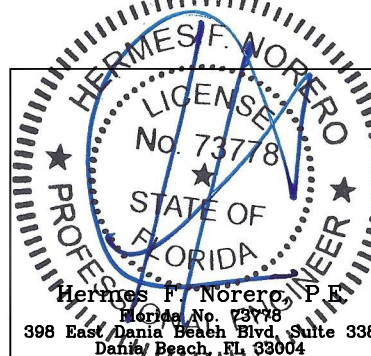
General Notes:

1. The product shown herein is designed, tested and manufactured to comply with the wind load criteria of the adopted International Building Code(IBC), the International Residential Code(IRC), the Florida Building Code(FBC) and the industry requirement for the stated conditions.
2. All glazing shall conform to ASTM E1300.
3. At minimum, glazing shall be 3.0mm annealed - 10.8mm airspace - 3.0mm annealed - 2.3mm PVB Interlayer by Kurraray - 3.0mm annealed insulating glass.
4. Use structural or composite shims where required.

This schedule addresses only the fasteners required to anchor the window to achieve the rated design pressure up to the size limitations noted. It is not intended as a guide to the installation process and does not address the sealing consideration that may arise in different wall conditions. For the complete installation procedure, see the instructions packaged with the window or go to www.jeld-wen.com.

DISCLAIMER:

This drawing and its contents are confidential and are not to be reproduced or copied in whole or in part or used or disclosed to others except as authorized by JELD-WEN Inc.

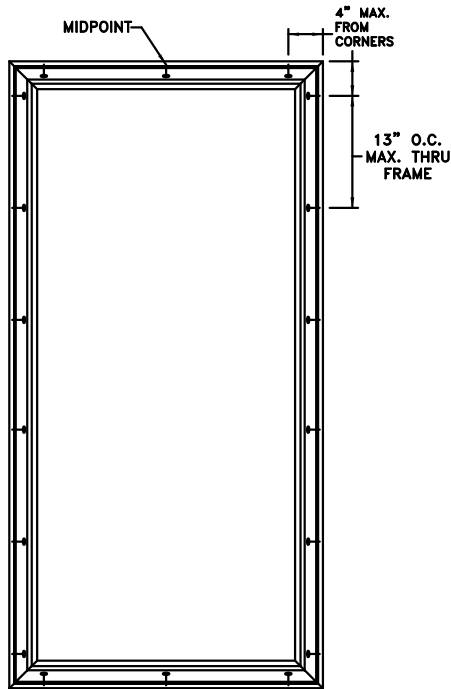


PROJECT ENGINEER: ---	DATE: 07/10/18
DRAWN BY: A. MCMILLAN	SCALE: NTS
CHECKED BY: J. GOOSSEN	TITLE: Premium Vinyl Stationary Casement Impact Window - WZ3
APPROVED BY: J. GOOSSEN	
RECORD No.: D014556	
REPORT No.: 110-17-006	PLANT NAME AND LOCATION:

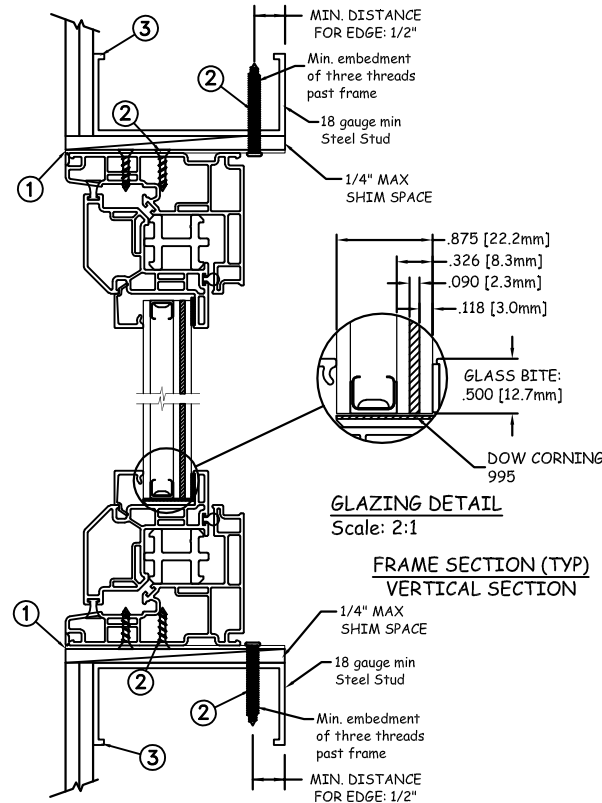
3737 Lakeport Blvd
Klamath Falls, OR. 97601
Phone: (800) 535-3936

JELD-WEN

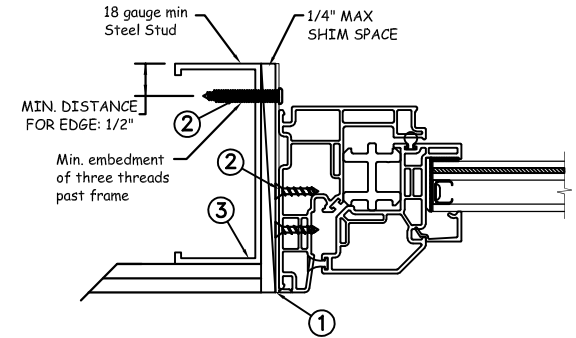
CAD DWG. No.: PremVinylFixedCsmnt Cert	REV: A	SHEET 3 OF 4
---	-----------	-----------------



TYPICAL ELEVATION WITH FASTENER SPACING



STEEL INSTALLATION



JAMB SECTION (TYP) HORIZONTAL SECTION

Max Frame	DP RATING	IMPACT
36 x 72	+50/-55	YES

MISSILE LEVEL D - WZ3

Installation Notes:

1. Seal flange/frame to substrate. Sill shall be set on a continuous serpentine bead of structural grade silicone caulk when no fastener is used to anchor the sill (typical).
2. Install masonry straps to vinyl frame using (4)#8 x 1/2" PH corrosion resistant fasteners. Bend straps around buck and secure with (2)#8 TEK self Tapping screws fastener into steel. Fasteners must be long enough to achieve minimum penetration of three threads past frame thickness. Steel substrate min. 18 ga., fy = 33ksi.
3. Host structure (wood buck, masonry, steel) to be designed and anchored to properly transfer all loads to the structure. The host structure is the responsibility of the architect or engineer of record for the project of installation.

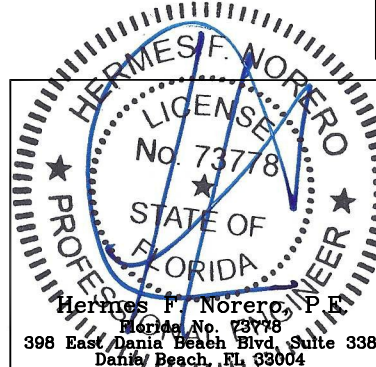
General Notes:

1. The product shown herein is designed, tested and manufactured to comply with the wind load criteria of the adopted International Building Code(IBC), the International Residential Code(IRC), the Florida Building Code(FBC) and the industry requirement for the stated conditions.
2. All glazing shall conform to ASTM E1300.
3. At minimum, glazing shall be 3.0mm annealed - 10.8mm airspace - 3.0mm annealed - 2.3mm PVB Interlayer by Kurraray - 3.0mm annealed insulating glass.
4. Use structural or composite shims where required.

This schedule addresses only the fasteners required to anchor the window to achieve the rated design pressure up to the size limitations noted. It is not intended as a guide to the installation process and does not address the sealing consideration that may arise in different wall conditions. For the complete installation procedure, see the instructions packaged with the window or go to www.jeld-wen.com.

DISCLAIMER:

This drawing and its contents are confidential and are not to be reproduced or copied in whole or in part or used or disclosed to others except as authorized by JELD-WEN Inc.



PROJECT ENGINEER: ---	DATE: 07/10/18
DRAWN BY: A. MCMILLAN	SCALE: NTS
CHECKED BY: J. GOOSSEN	TITLE: Premium Vinyl Stationary Casement Impact Window - WZ3
APPROVED BY: J. GOOSSEN	
RECORD No.: D014556	
REPORT No.: 110-17-006	PLANT NAME AND LOCATION:

JELD-WEN

3737 Lakeport Blvd
Klamath Falls, OR. 97601
Phone: (800) 535-3936

CAD DWG. No.: PremVinylFixedCsmnt Cert	REV: A	SHEET 4 OF 4
---	-----------	-----------------